



## Alpenföhn® Silvretta

### Flat CPU cooler for Mini-ITX/Micro ATX

#### Product description

With a total height of only 45mm, this cooler is ideal for Intel/AMD based HTPC's and small form factor systems.

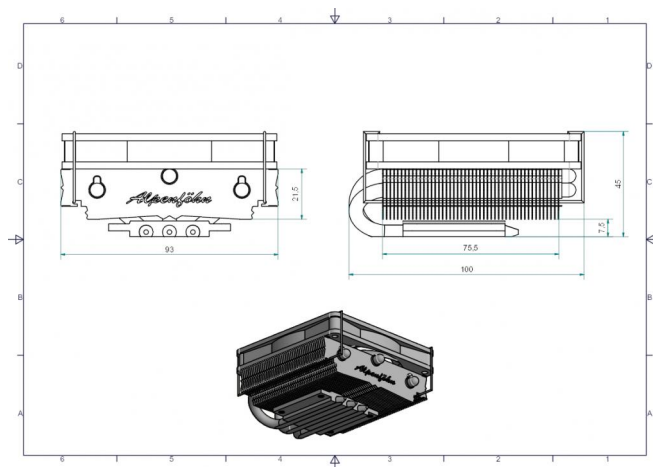
#### Main features

- Max. 45mm height
- VGA compatibility on mini-ITX mainboards
- 3 nickel-plated high-performance heatpipes
- Ultra-flat PWM fan
- Secure mounting system for Intel/AMD



# Alpenföhn® Silvretta Technical data

Dimensions in mm



## Cooler properties

Article number	84000000096
Dimension	100 mm x 93 mm x 45 mm
Operating voltage	12 VDC
Weight	250 g (incl. fan) g
Heatpipes	3 heatpipes
Fins	Aluminium

## Specification of the fan

Dimension	92 mm x 92 mm x 15 mm
Operating voltage	12 VDC
Warehouse	Hydraulic bearing
Fan connection	4-pin pwm
Speed	800 U/min - 2800 U/min
Air flow rate	80.03 m³/h
Noise level	37.6 dB(A)
Life expectancy @ 25 °C	up to 120.000 h



\* Thermal and mechanical compatibility may vary depending on the system used  
 \*\* According to manufacturer specifications

[www.alpenfoehn.de/Alpenfoehn-Silvrettaen](http://www.alpenfoehn.de/Alpenfoehn-Silvrettaen)



# Alpenföhn® Silvretta Further data

## Max. 45mm height:

With a maximum height of just 45mm, this cooler is ideal for all compact HTPC or small form factor cases.

## VGA compatibility on mini-ITX mainboards:

On most mini-ITX mainboards, the PCIe slot is located directly next to the CPU socket. While larger coolers usually block the PCIe slot, the Alpenföhn Silvretta can be ideally mounted due to its maximum width of only 93mm.

## High-performance heatpipes:

3 high-performance heatpipes transport the waste heat from the processor quickly and efficiently to the soldered aluminium fins of the heat sink.

## Ultra-flat PWM fan:

The built-in fan has a 4-pin connection and can therefore be controlled via the mainboard. This allows the speed to be adjusted between 800 and 2,800 rpm, which means that a minimum of 14.8 dB(A) and a maximum of 80.03 m<sup>3</sup>/h are possible.

## Secure mounting system for AMD/Intel

The screw mounting system included in the scope of delivery has been designed to ensure maximum compatibility with mini-ITX mainboards. The following sockets are supported: Intel max. 95W: Socket 1700 (UpgradeKit), 1200, 115X and 775 AMD max. 95W: Socket AM4 (with upgrade kit), AM3(+), AM3, AM2(+), AM2, FM1/FM2



\* Thermal and mechanical compatibility may vary depending on the system used  
\*\* According to manufacturer specifications

[www.alpenfoehn.de/Alpenfoehn-Silvrettaen](http://www.alpenfoehn.de/Alpenfoehn-Silvrettaen)

